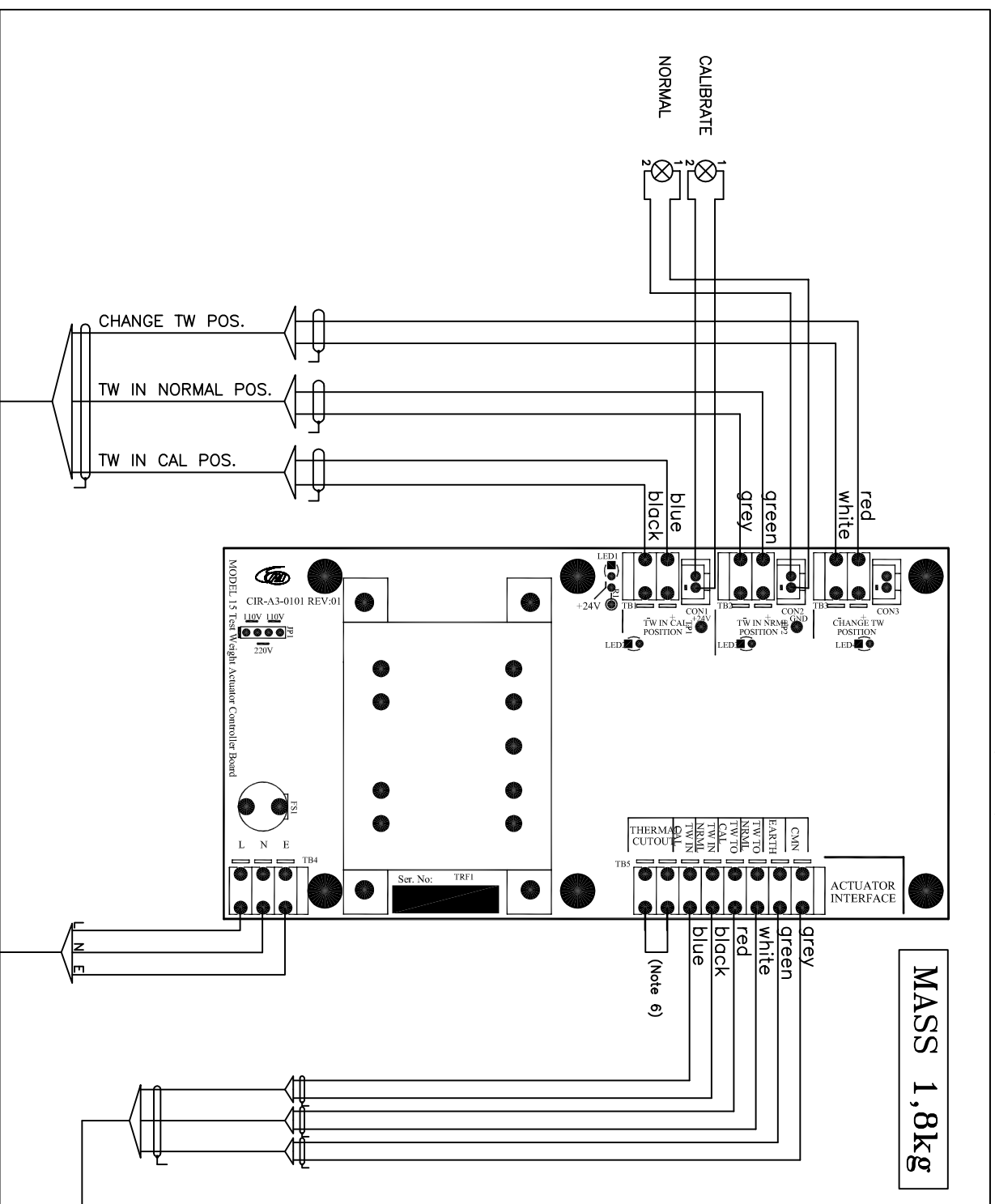


MODEL 15 CONTROLLER ENCLOSURE (Note 5)

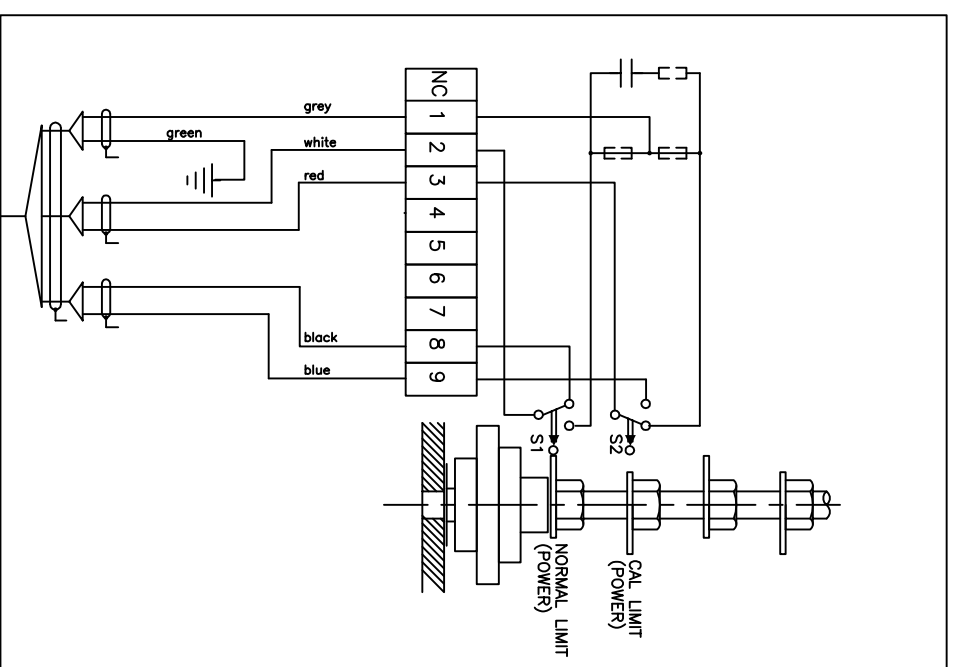


WIR-A3-0648

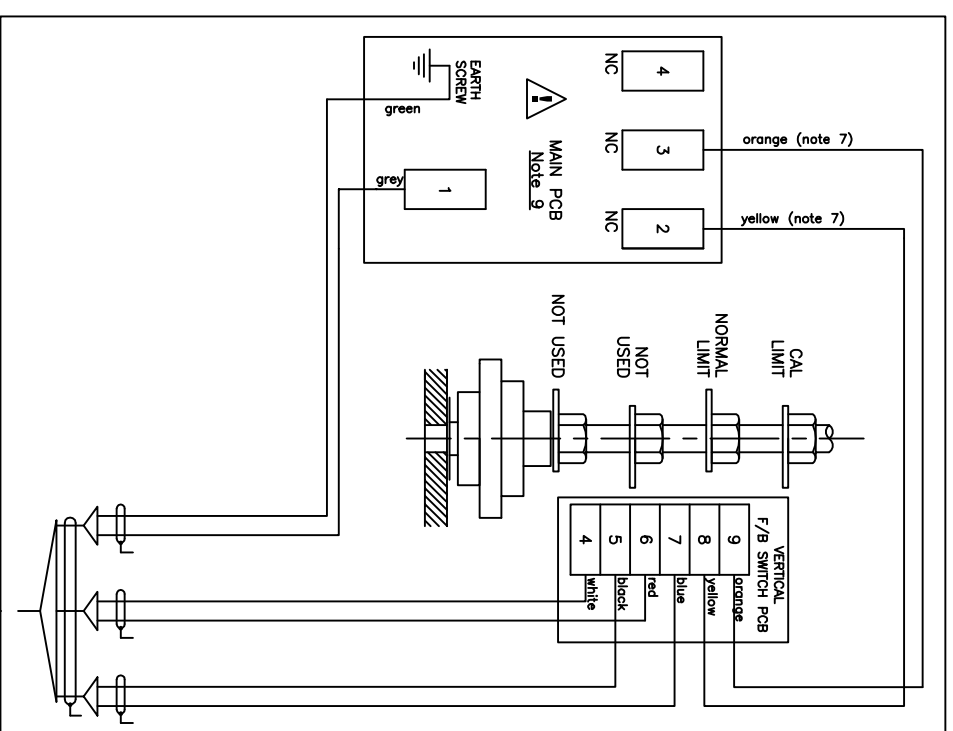
NOTES:-

1. MODEL 15 CONTROLLER 220VAC OR 110VAC 50/60Hz - TO BE SPECIFIED AT TIME OF ORDER 35VA MAX WHEN MODEL 3003 ACTUATOR USED. 55VA MAX WHEN MODEL 3003-05 ACTUATOR USED.
2. PLEASE NOTE SPECIAL VERSION OF ACTUATOR REQUIRED.
3. CABLE PART NUMBER 2840/050
4. OPTIONAL DOOR MOUNTED INDICATORS.
5. STANDARD ENCLOSURE RATED IP55 REFER TO ENCO40-001-200 FOR DIMENSIONS.
6. THERMAL CUT OUT NOT USED, BRIDGED IN THIS APPLICATION.
7. INTERNAL WIRING - DO NOT REMOVE.
8. ONE TEST ACTUATOR TO BE USED. MODEL 3003-05 ACTUATOR SUPERSEDES MODEL 3003 ACTUATOR. MODEL 3003 ACTUATOR SHOWN FOR REFERENCE ONLY.
9. ΔOBSERVE THE TERMINAL NUMBERING. THE TERMINAL NUMBER ORDER IS NOT SEQUENTIAL.

MODEL 3003 TEST WEIGHT ACTUATOR (Note 2, 8)



MODEL 3003-05 TEST WEIGHT ACTUATOR (Note 2, 8)



Rev.	Date	By	Description	Eng. Approval	Checked
05	28.11.17	J.Bornwiman	ENCLOSURE DRAWING NUMBER UPDATED. UNUSED DOOR MOUNT INDICATOR AND SWITCH DELETED FOR CLARITY.	M.F. Shiel	L.Thornton
04	22.8.13	B.Maheshwari	MODEL 3003-05 TERMINAL ARRANGEMENT UPDATED.	L.Thornton	L.Thornton
03	15.8.13	M.Ferrario / Added Model 3003-05 Actuator. Updated notes and title. Cosmetic changes to model 3003 wiring for clarity.		L.Thornton	L.Thornton
02	13.4.08	AWL	Cosmetic changes to model 3003 wiring for clarity.		
01	31.1.06	J.M.	MINOR CHANGES		

Engineer	J.Meyer	Date	31.1.06
Drawn by	J.M.J.	Date	31.1.06
Checked	L.Thornton	Date	15.8.13
S.O. No.	**	Tolerance	Dim. ±.5mm
Sheet	of	Angles	±.25°

Copyright	(PTY) LTD.
Process Automation	RANDBURG
THE INFORMATION HEREIN CONTAINED IS CONFIDENTIAL AND FOR YOUR EYES ONLY, AND THE COPYRIGHT IN THIS WORK RESTS IN PROCESS AUTOMATION (PTY) LTD. AND YOU BY ACCESSING THIS DRAWING, AGREE TO BE BOUND BY THE TERMS AND CONDITIONS OF THE COPYRIGHT ACT AND TO ACT ACCORDINGLY	
INTERCONNECT WIRING DIAGRAM	
MODEL-15 CONTROLLER and	
MODEL 3003 or MODEL 3003-05	
TEST WEIGHT ACTUATOR	
FOR SINGLE POSITION TEST WEIGHT	
Scale	Dwg. No. WIR-A3-0642
Revision No. 05	